

1

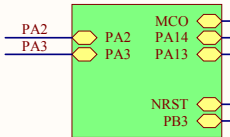
2

3

4

ST_LINK_V2.SCHDOC
U_ST_LINK

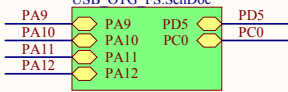
STM32F4_USART2_TX
STM32F4_USART2_RX



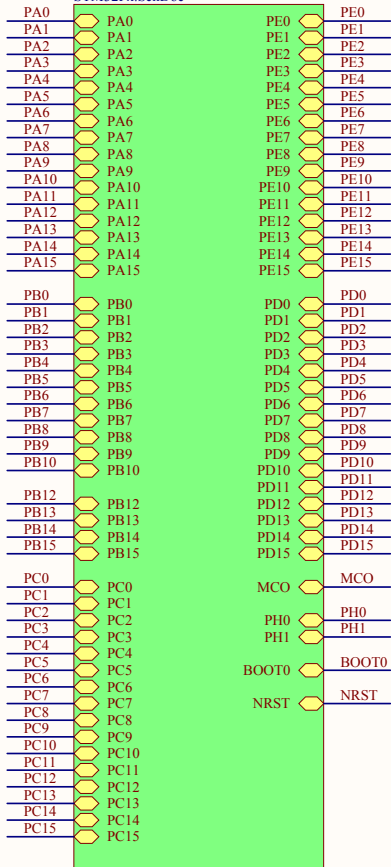
TCK/SWCLK
TMS/SWDIO

T_NRST
T_SWO

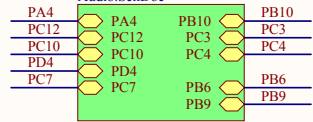
U_USB_OTG_FS
USB_OTG_FS.SchDoc



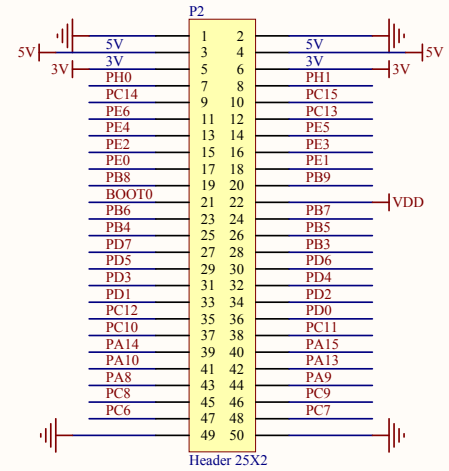
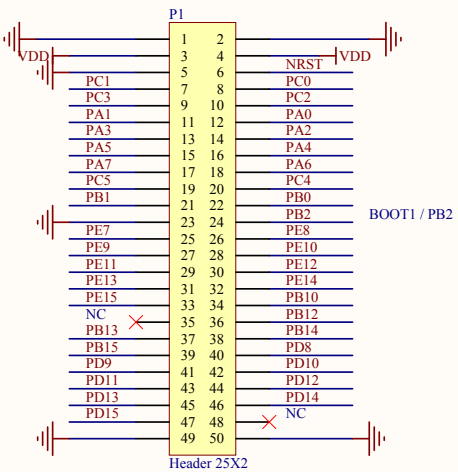
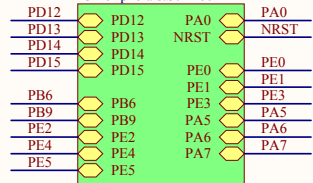
U_STM32Fx
STM32Fx.SchDoc



U_Audio
Audio.SchDoc



U_IO Peripherals
IO Peripherals.SchDoc



Rev A.0 --> PCB label MB1115 A-00
 Rev B.1 --> PCB label MB1115 B-01 LD3GD20 U7 was routed wrong.
 Rev B.2 --> PCB label MB1115 B-02 STM32F401VCT6U replaced by STM32F411VET6U

STMicroelectronics

Title: **STM32F411E-DISCOVERY**

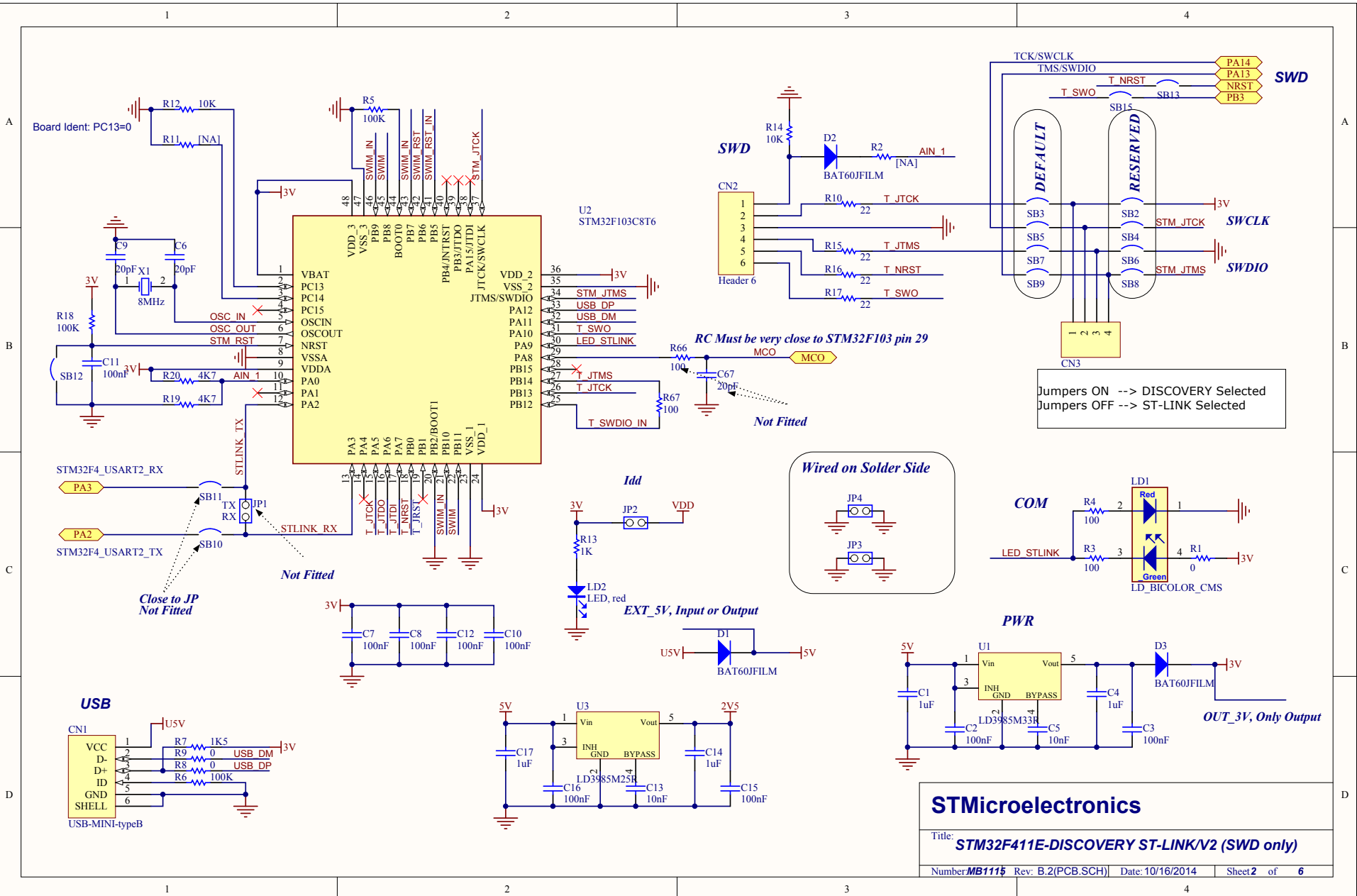
Number **MB1115** Rev: B.2(PCB.SCH) Date: 10/16/2014 Sheet **1** of **6**

1

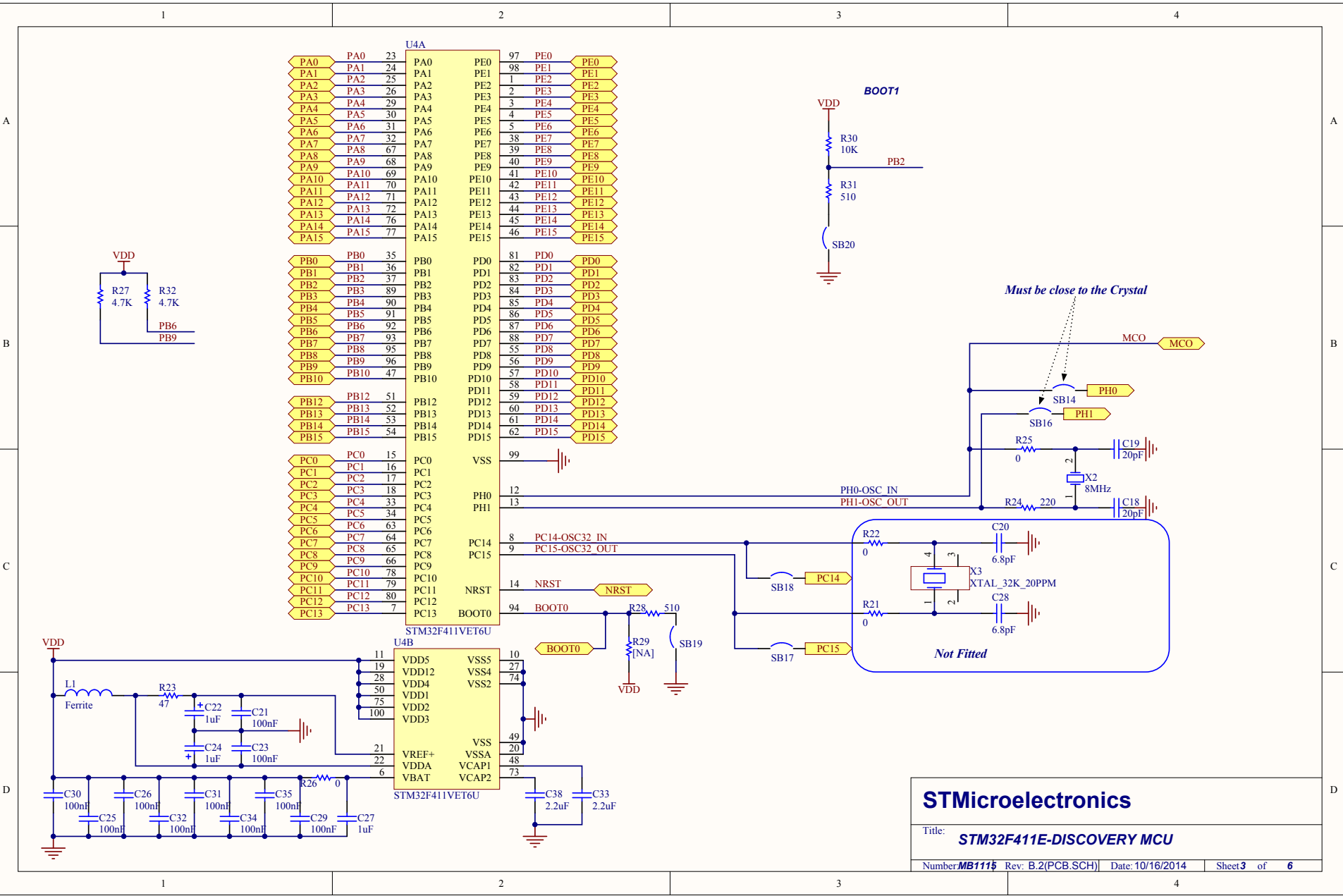
2

3

4



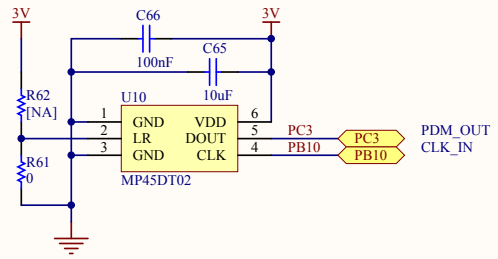
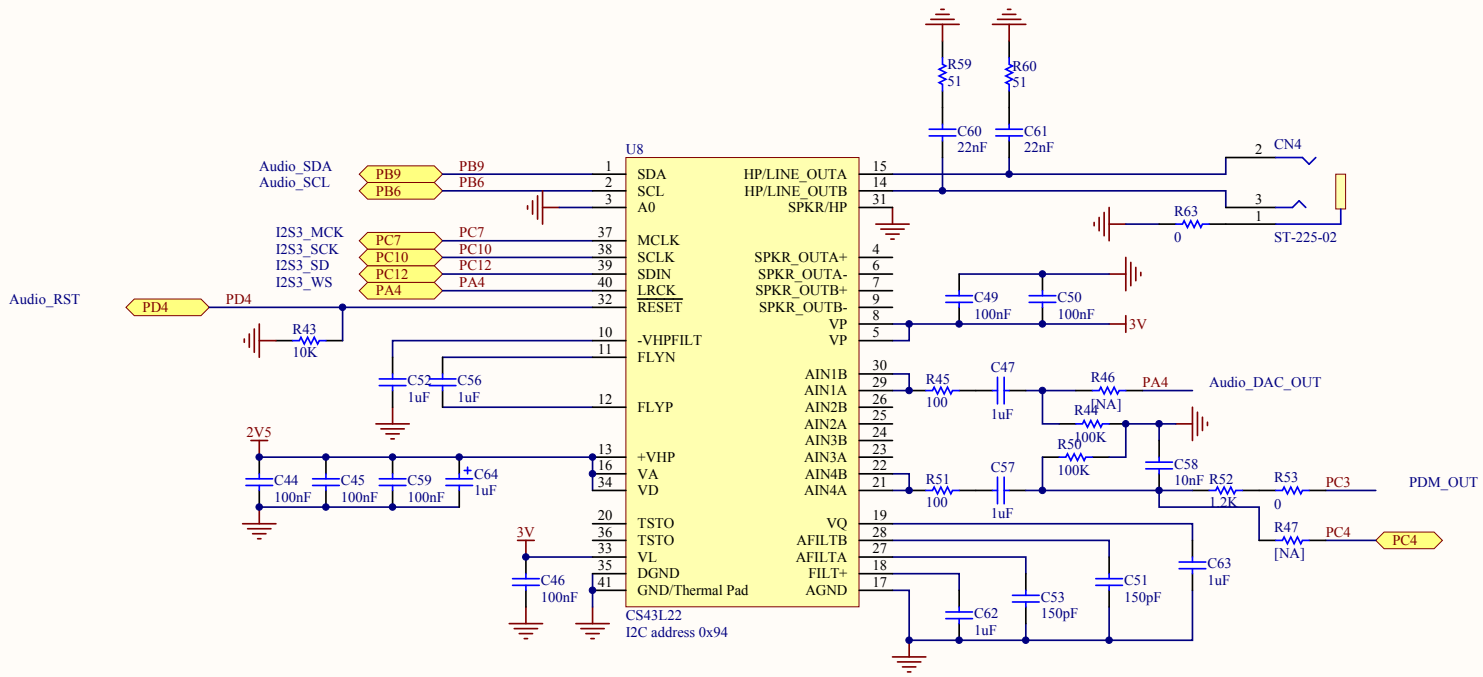
STMicroelectronics			
Title: STM32F411E-DISCOVERY ST-LINK/V2 (SWD only)			
Number MB1115	Rev: B.2(PCB.SCH)	Date: 10/16/2014	Sheet 2 of 6

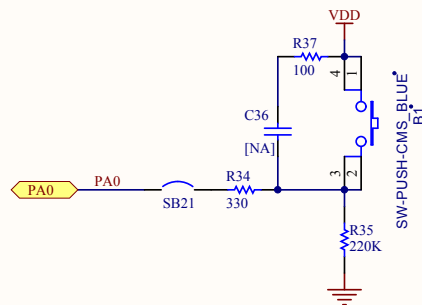


STMicroelectronics

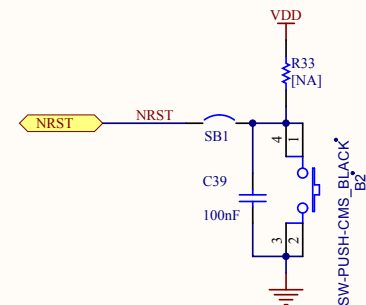
Title: **STM32F411E-DISCOVERY MCU**

Number **MB1115** Rev: B.2(PCB.SCH) Date: 10/16/2014 Sheet **3** of **6**

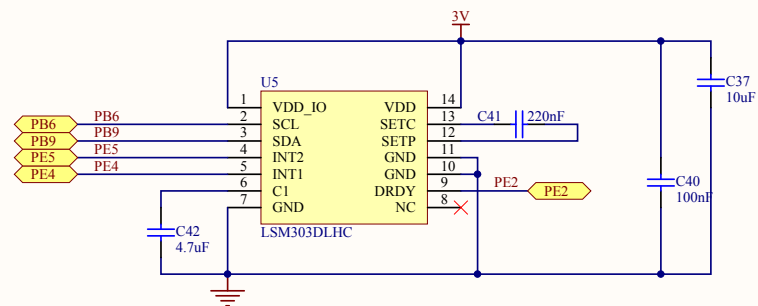




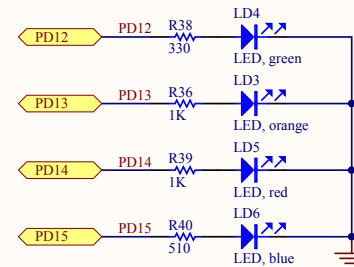
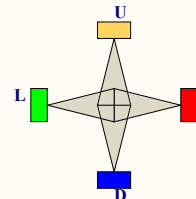
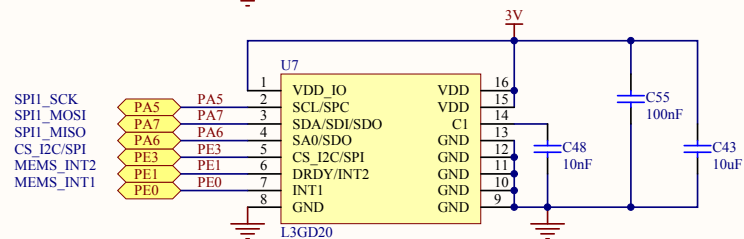
USER & WAKE-UP Button



RESET Button



MEMS



LEDs

STMicroelectronics

Title: **STM32F411E-DISCOVERY Peripherals**

Number **MB1115** Rev: B.2(PCB.SCH) Date: 10/16/2014 Sheet6 of 6